



KTMI-700 Series

Electromagnetic Flow meter
Unnecessary Pipe Cutting

FEATURE

- Its design with a light weight enables to easily install in a narrow place.
- No maintenance is necessary because no driving parts, impediments, or wear.
- Applicable to various piping environment
- High durability to most of corrosive or abrasive fluids
- Able to apply various electrodes to the sensor
- Provides superb stability and accuracy for a long time
- Maintains a stable accuracy even at a site with a high level of noise and vibration

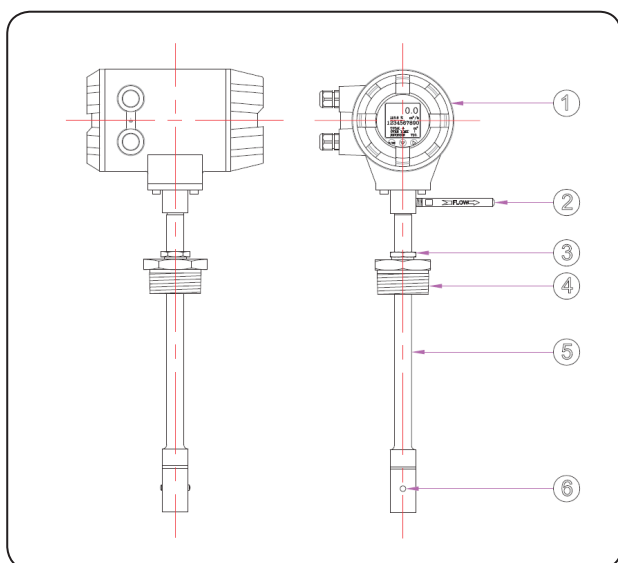
APPLICATIONS

- ▶ Chemical and Other Process Industries
 - Injecting fibric products with adhesiveness
 - Emulsified liquid including latex and emulsion.
- ▶ Mineral and Mining
 - Similar in use to a cement
- ▶ Water resources
 - Water mixed with fat, oil, and grease
- ▶ Paper business
 - Fibric products in chemically aggressive nature

KTMI-700 General Specifications

Size	100A - 3000A
Process Connection	Insertion Type (Required Fitting)
Measuring Velocity	0.1 m/s – 10 m/s
Flow Velocity	0.3 m/s – 10 m/s
Accuracy	±0.5 % F.S (0.3 m/s ~ 10 m/s) ±1.0 % F.S (0.01 m/s ~ 0.3 m/s)
Ambient Temperature	-10 °C ~ 60 °C
Conductivity	Over 5 μ s / cm
Power Supply	AC 85-250 V (50~60) Hz DC 24 V – (Option)
Power Consumption	15 VA
Display	LCD Display Flowrate : 5-digit Display Total : 9-digit Display / With Back light
Output	Analog : DC 4-20 mA Pulse : DC (8~30) V (Open collector pulse) Digital : RS-485
Protection Class	IP67

STRUCTURAL DRAWING



STANDARD MATERIAL

No.	Description	Material	
		Normal	Option
1	Indicator	CAST ALUMINUM	
2	Handle	SUS304	316SS, 316LSS
3	Fixing Screws	SUS304	316SS, 316LSS
4	Pipe Connector	SUS304	316SS, 316LSS
5	Probe	SUS304	316SS, 316LSS
6	Electrode	316LSS	Platinum Titanium Tantalum Hastelloy-C