



KTM-800-Ex Series

Electromagnetic Flow meter
used in Explosion-proof Areas

FEATURE

- Capable of measuring flows in both directions
- No maintenance is necessary because no driving parts, impediments, or wear.
- PFA or PTFE liners with high chemically durability is used
- High durability to most of corrosive or abrasive fluids
- Able to apply various electrodes to the sensor
- Provides superb stability and accuracy for a long time
- Housing material can be chosen
- Maintains a stable accuracy even at a site with a high level of noise and vibration
- Explosion Proof Certification : Ex d IIB T4

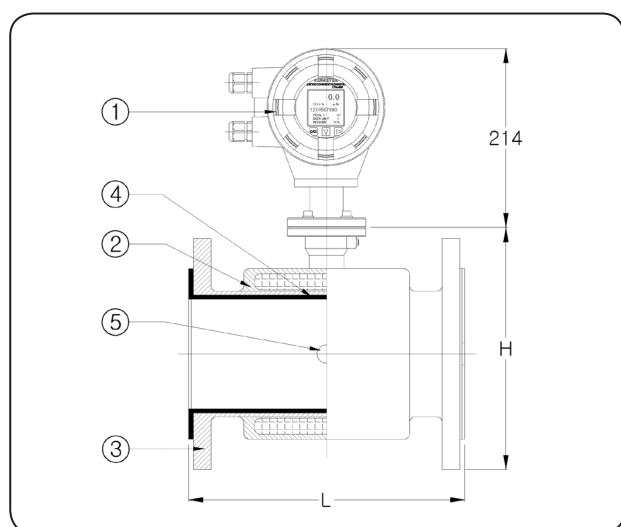
APPLICATIONS

- ▶ Chemical and Other Process Industries
 - Injecting fibric products with adhesiveness
 - Emulsified liquid including latex and emulsion.
- ▶ Food and Beverage
 - Hygienic blending, injection, and quantitative distribution
 - Cream and dairy products (e.g. fat, milk, cheese, yogurt with particles of fruit)
- ▶ Mineral and Mining
 - Similar in use to a cement
- ▶ Water resources
 - Water mixed with fat, oil, and grease
- ▶ Nuclear industry
 - Cooling water, Transport water, etc.
- ▶ Electric power

■ KTM-800-Ex General Specifications

Size	10A (3/8") - 2000A (80")
Process Connection	Flange type - Standard JIS10K RF (Option. ANSI 150#, DIN 16 bar)
Measuring Range	0.028 m ³ /h – 113040.0 m ³ /h
Flow Velocity	0.1 m/s – 10 m/s
Accuracy	±0.5 % R.D (0.3 m/s ~ 10 m/s) ±1.0 % R.D (0.01 m/s ~ 0.3 m/s)
Fluid Temperature	PTFE (-10 °C ~ 160 °C) Hard rubber (-10 °C ~ 70 °C) CR (-10 °C ~ 150 °C) - Option
Ambient Temperature	-10 °C ~ 60 °C
Conductivity	Over 5 μs / cm
Power Supply	AC 85-250 V (50~60) Hz DC 24 V – (Option) Battery (Option), Battery Life 2 year
Power Consumption	15 VA
Display	LCD Display Flowrate : 5-digit Display Total : 9-digit Display / With Back light
Output	Analog : DC 4-20 mA Pulse : DC (8~30) V (Open collector pulse)
	Digital : RS-485
Protection Class	Ex d IIB T4

■ STRUCTURAL DRAWING



■ STANDARD MATERIAL

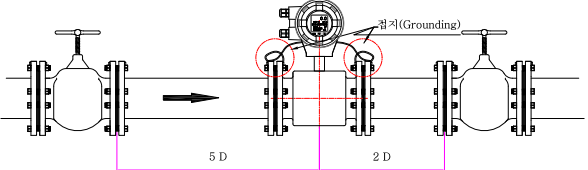
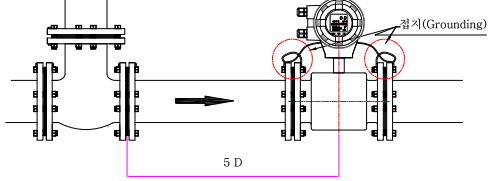
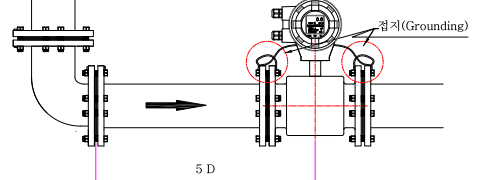
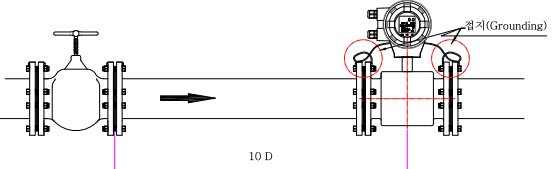
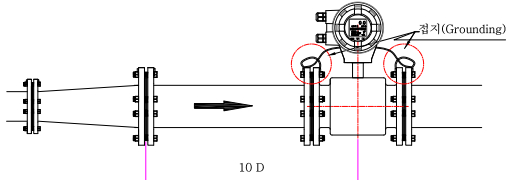
No.	Description	Material	
		Normal	Option
1	Indicator	CAST ALUMINUM	
2	Housing	CARBON STEEL	SUS304
3	Flange	CARBON STEEL	SUS304
4	Lining	PFA(PTFE), Hard Rubber	
5	Electrode	316LSS	Platinum Titanium Tantalum Hasteloy-C

■ FLOW RANGES & DIMENSIONS

Size		Flow Range				Dimensions (mm)	
		Velocity (m/s)	Flow rate (m ³ /h)	Velocity (m/s)	Flow rate (m ³ /h)	L	H
10A	3/8B	0.1	0.028	10	2.826	200	130
15A	1/2B		0.063		6.358	200	132.5
20A	3/4B		0.113		11.304	200	137.5
25A	1B		0.176		17.662	200	145
32A	1-1/4B		0.289		28.938	200	162.5
40A	1-1/2B		0.452		45.216	200	172.5
50A	2B		0.706		70.650	200	187.5
65A	2-1/2B		1.194		119.398	200	202.5
80A	3B		1.808		180.864	200	220
100A	4B		2.82		282.60	250	230
125A	5B		4.41		441.56	250	270
150A	6B		6.35		635.85	300	302.5
200A	8B		11.30		1130.40	350	352.5
250A	10B		17.66		1766.25	400	407.5
300A	12B		25.43		2543.40	500	460
350A	14B		34.61		3461.85	500	517.5
400A	16B		45.21		4521.60	600	572.5
450A	18B		57.22		5722.65	600	622.5
500A	20B		70.6		7065.0	600	675
600A	24B		101.7		10173.6	600	745
700A	28B	138.4	13847.4	700	892		
800A	32B	180.8	18086.4	800	1002.5		
900A	36B	228.9	22890.6	900	1102.5		
1000A	40B	282.6	28260.0	1000	1182.5		
1200A	48B	406.9	40964.4	1200	1397.5		
1400A	56B	553.8	55389.6	1400	1610		
1600A	64B	723.4	72345.6	1600	1810		
1800A	72B	915.6	92562.4	1800	2017.5		
2000A	80B	1130.4	113040.0	2000	2227.5		

DRAWING OF INSTALLATION

√ In order to measure the flow accurately, it is necessary to have more than 5D in the front end and 3D in the rear end.

<p>By pass</p>	
<p>Tee</p>	
<p>90° Bend</p>	
<p>horizontality</p>	
<p>Reducer/Expansion pipe</p>	

MOUNTING POSITION OF LCD DISPLAY

