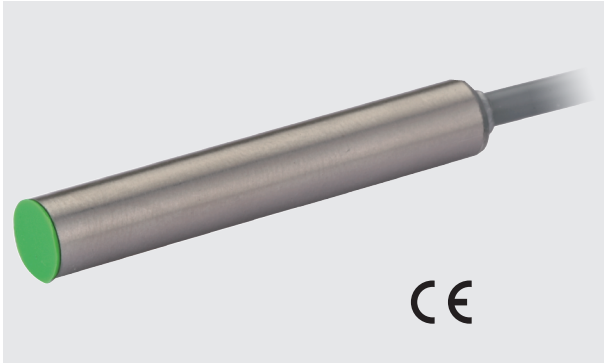


Inductive Sensor

Metal Barrel-H6.5



Description:

Stainless steel housing, smooth barrel, DC 2-wire output, IP67 protection class, LED indicator.

Technical Data:

Type	Rated Operating Distance S_n	Mounting	Output	Voltage Range U_B	Rated Current	Switching Frequency	Ambient Temperature	Connection	Fig
Fi1.5-KH6.5-OD6L	1.5mm	Flush	DC NO	10...30VDC	≤100mA	1000Hz	-25...70°C	2m cable	Fig.1
Fi1.5-KH6.5-CD6L	1.5mm	Flush	DC NC	10...30VDC	≤100mA	1000Hz	-25...70°C	2m cable	Fig.1
Ni2-KH6.5-OD6L	2mm	Non-flush	DC NO	10...30VDC	≤100mA	1000Hz	-25...70°C	2m cable	Fig.2
Ni2-KH6.5-CD6L	2mm	Non-flush	DC NC	10...30VDC	≤100mA	1000Hz	-25...70°C	2m cable	Fig.2
Fi1.5-KH6.5-OD6L-Q8	1.5mm	Flush	DC NO	10...30VDC	≤100mA	1000Hz	-25...70°C	M8 Connector	Fig.3
Fi1.5-KH6.5-CD6L-Q8	1.5mm	Flush	DC NC	10...30VDC	≤100mA	1000Hz	-25...70°C	M8 Connector	Fig.3
Ni2-KH6.5-OD6L-Q8	2mm	Non-flush	DC NO	10...30VDC	≤100mA	1000Hz	-25...70°C	M8 Connector	Fig.4
Ni2-KH6.5-CD6L-Q8	2mm	Non-flush	DC NC	10...30VDC	≤100mA	1000Hz	-25...70°C	M8 Connector	Fig.4

Dimensions:

Fig.1

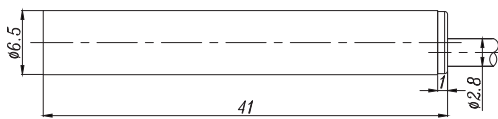


Fig.2

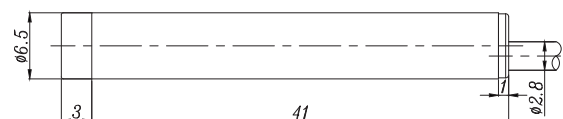


Fig.3

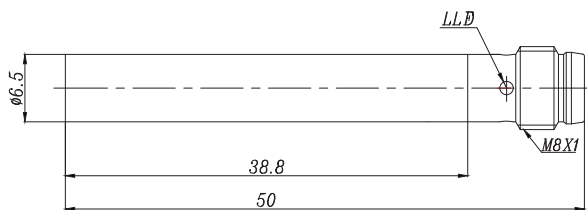
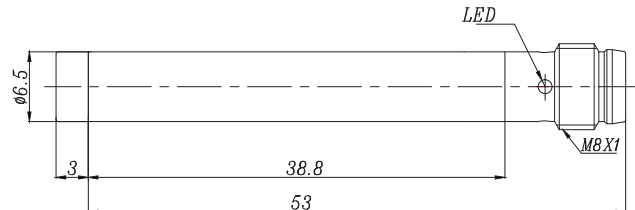
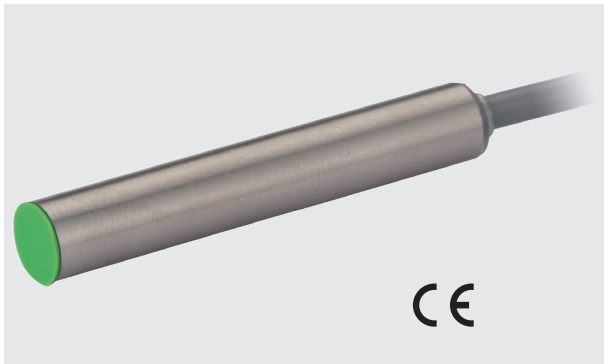


Fig.4



Metal Barrel-H6.5



Description:

Stainless steel housing, smooth barrel, DC 3-wire output, I
P67 protection class, LED indicator.

Technical Data:

Type	Rated Operating Distance Sn	Mounting	Output	Voltage Range U _B	Rated Current	Switching Frequency	Ambient Temperature	Connection	Fig
Fi1.5-KH6.5-OP6L	1.5mm	Flush	PNP NO	10...30VDC	≤100mA	1000Hz	-25...70°C	2m cable	Fig.1
Fi1.5-KH6.5-ON6L	1.5mm	Flush	NPN NO	10...30VDC	≤100mA	1000Hz	-25...70°C	2m cable	Fig.1
Fi1.5-KH6.5-CP6L	1.5mm	Flush	PNP NC	10...30VDC	≤100mA	1000Hz	-25...70°C	2m cable	Fig.1
Fi1.5-KH6.5-CN6L	1.5mm	Flush	NPN NC	10...30VDC	≤100mA	1000Hz	-25...70°C	2m cable	Fig.1
Ni2-KH6.5-OP6L	2mm	Non-flush	PNP NO	10...30VDC	≤100mA	1000Hz	-25...70°C	2m cable	Fig.2
Ni2-KH6.5-ON6L	2mm	Non-flush	NPN NO	10...30VDC	≤100mA	1000Hz	-25...70°C	2m cable	Fig.2
Ni2-KH6.5-CP6L	2mm	Non-flush	PNP NC	10...30VDC	≤100mA	1000Hz	-25...70°C	2m cable	Fig.2
Ni2-KH6.5-CN6L	2mm	Non-flush	NPN NC	10...30VDC	≤100mA	1000Hz	-25...70°C	2m cable	Fig.2
Fi1.5-KH6.5-OP6L-Q8	1.5mm	Flush	PNP NO	10...30VDC	≤100mA	1000Hz	-25...70°C	M8 Connector	Fig.3
Fi1.5-KH6.5-ON6L-Q8	1.5mm	Flush	NPN NO	10...30VDC	≤100mA	1000Hz	-25...70°C	M8 Connector	Fig.3
Fi1.5-KH6.5-CP6L-Q8	1.5mm	Flush	PNP NC	10...30VDC	≤100mA	1000Hz	-25...70°C	M8 Connector	Fig.3
Fi1.5-KH6.5-CN6L-Q8	1.5mm	Flush	NPN NC	10...30VDC	≤100mA	1000Hz	-25...70°C	M8 Connector	Fig.3
Ni2-KH6.5-OP6L-Q8	2mm	Non-flush	PNP NO	10...30VDC	≤100mA	1000Hz	-25...70°C	M8 Connector	Fig.4
Ni2-KH6.5-ON6L-Q8	2mm	Non-flush	NPN NO	10...30VDC	≤100mA	1000Hz	-25...70°C	M8 Connector	Fig.4
Ni2-KH6.5-CP6L-Q8	2mm	Non-flush	PNP NC	10...30VDC	≤100mA	1000Hz	-25...70°C	M8 Connector	Fig.4
Ni2-KH6.5-CN6L-Q8	2mm	Non-flush	NPN NC	10...30VDC	≤100mA	1000Hz	-25...70°C	M8 Connector	Fig.4

Dimensions:

Fig.1

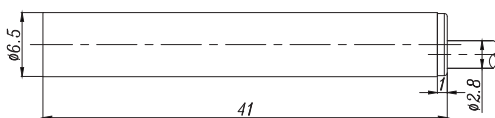


Fig.2

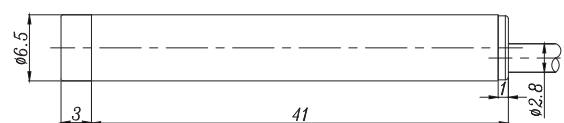


Fig.3

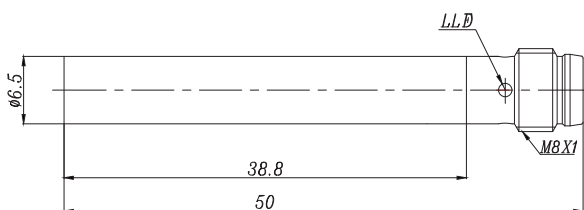


Fig.4

